



PROFILCO

REKVERKSYSTEM I ALUMINIUM

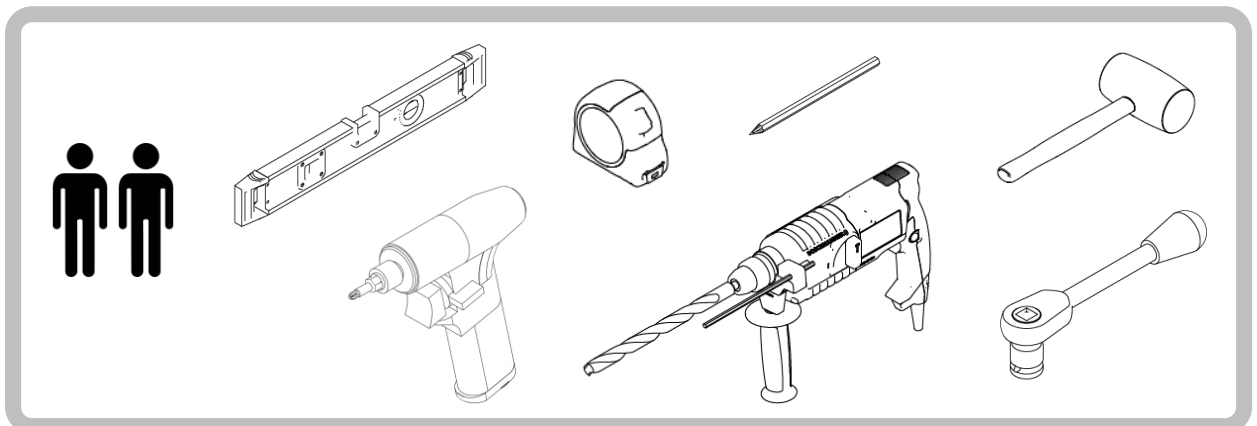
05/04/2021

Versión: 2.0

Manual de montaje Pro-Vista

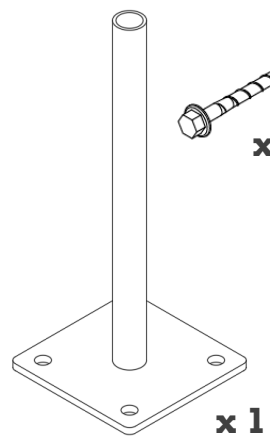
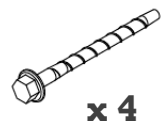
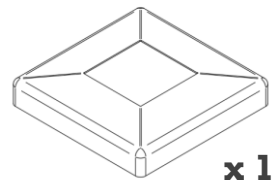
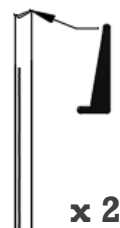
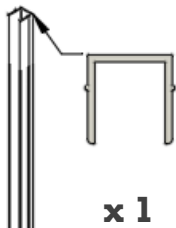
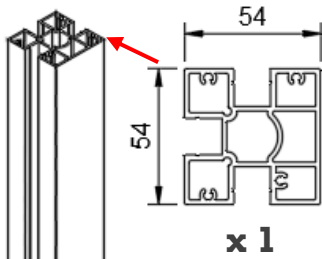
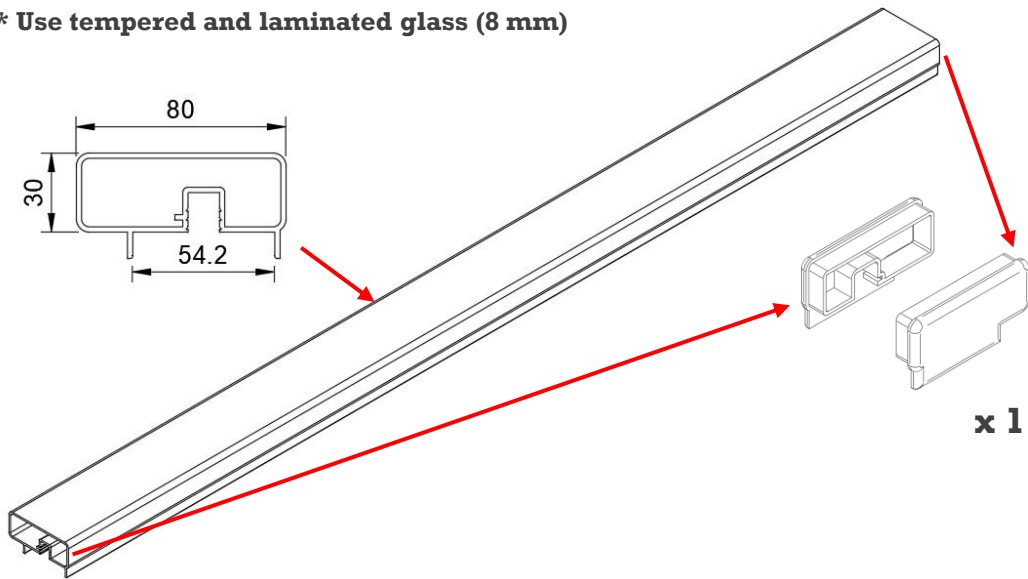


NECESSARY TOOLS

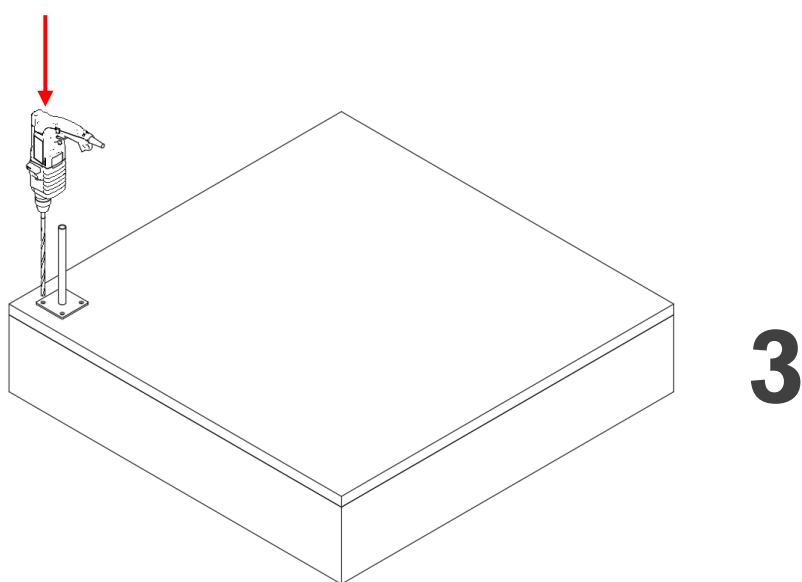
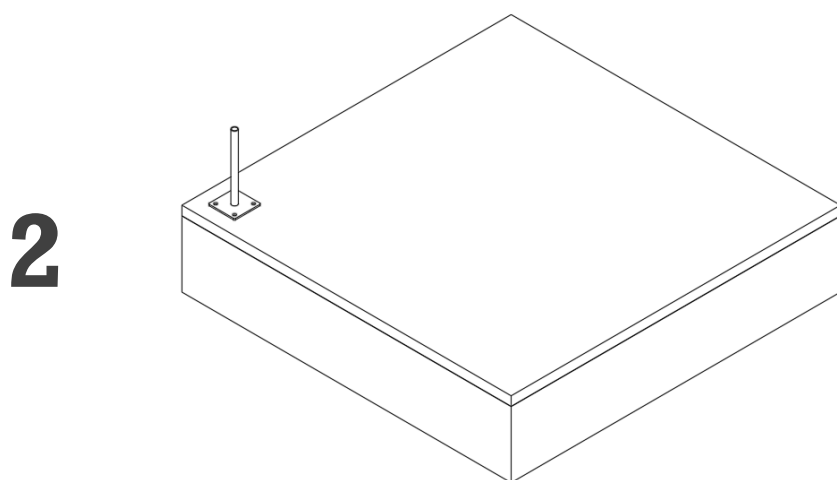
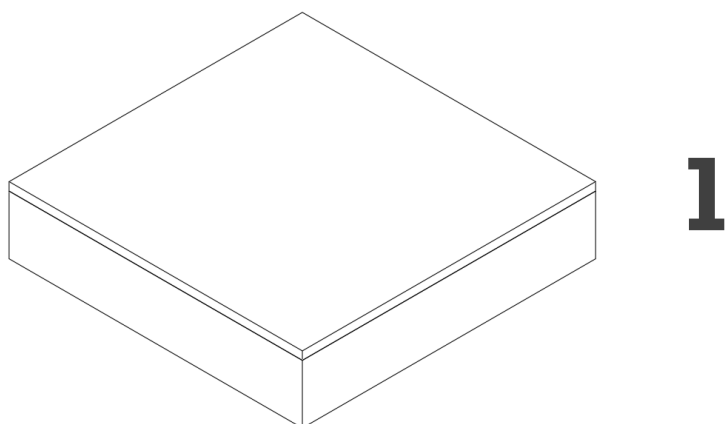


NECESSARY MATERIALS *

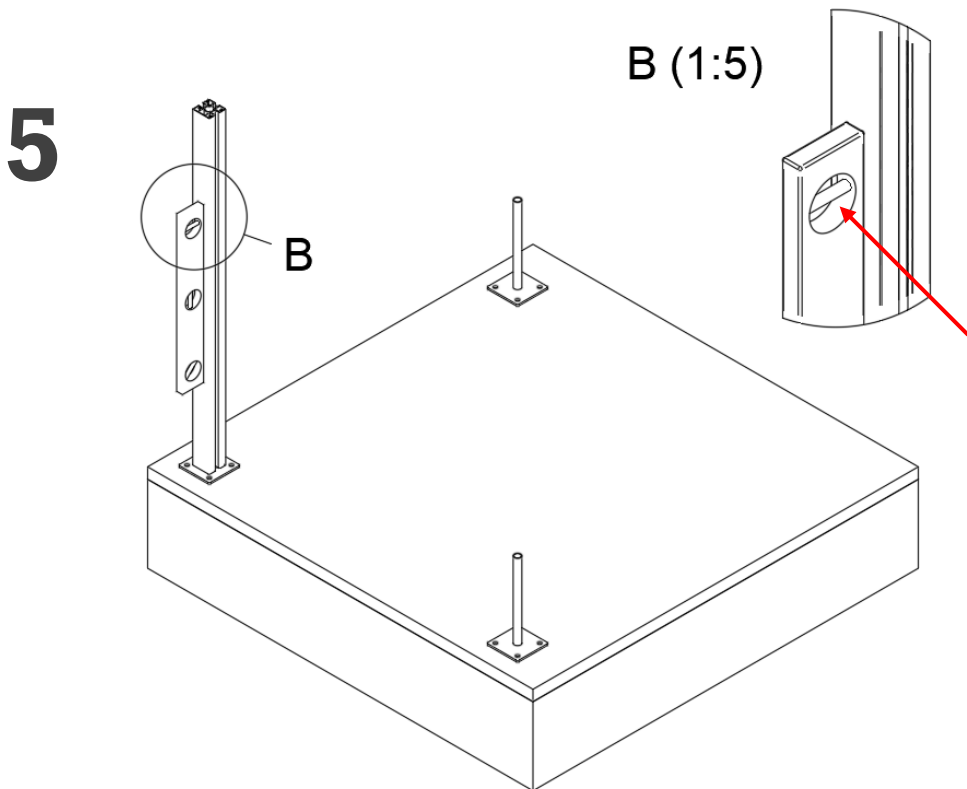
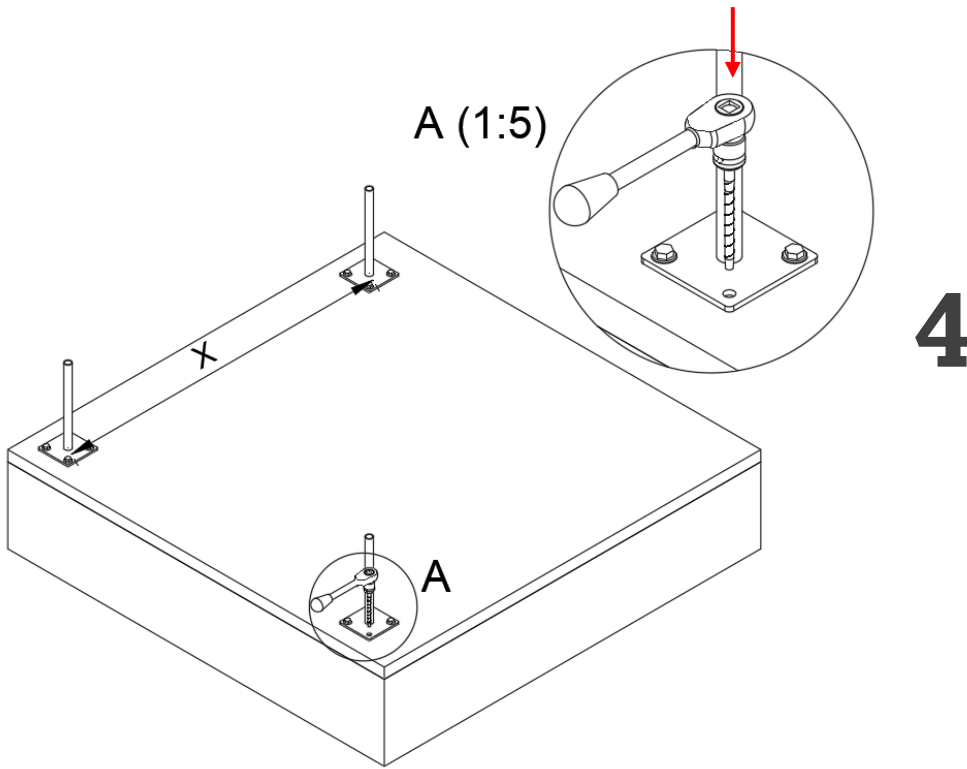
* Use tempered and laminated glass (8 mm)



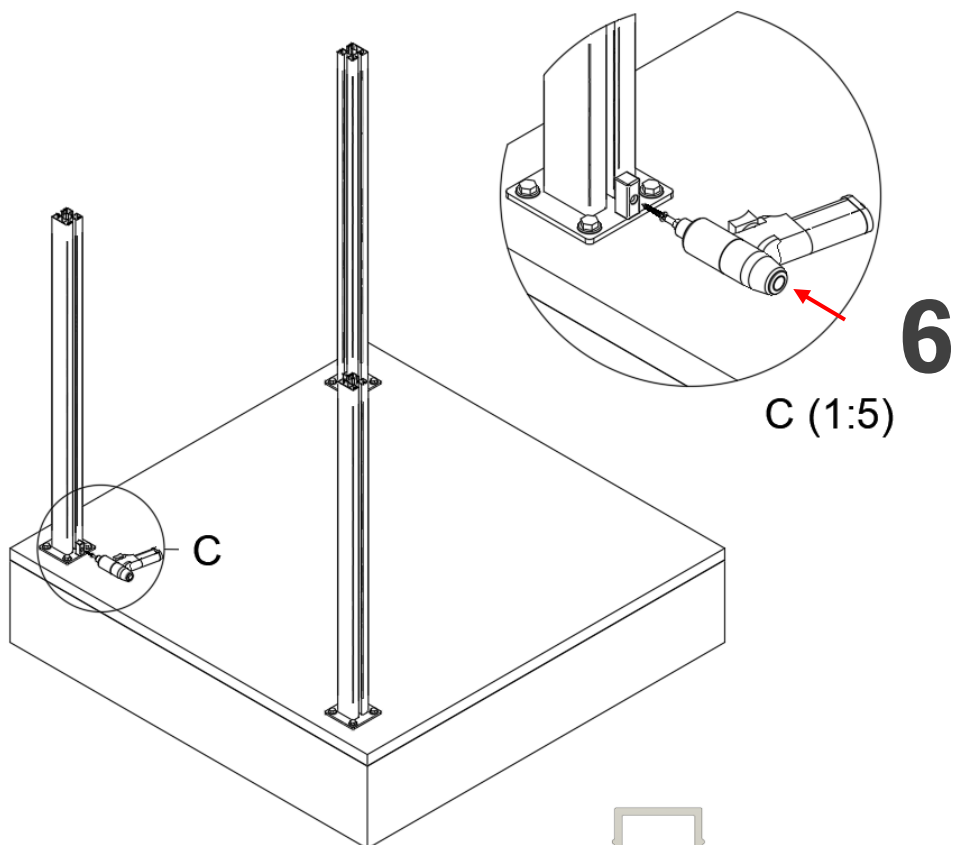
STEPS



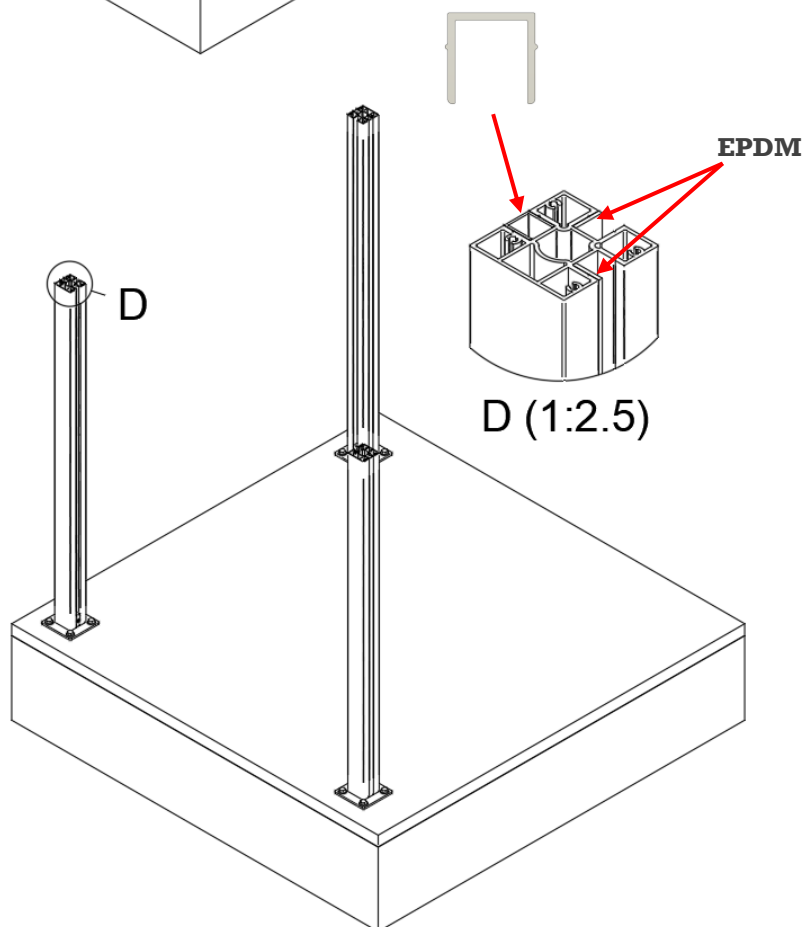
STEPS



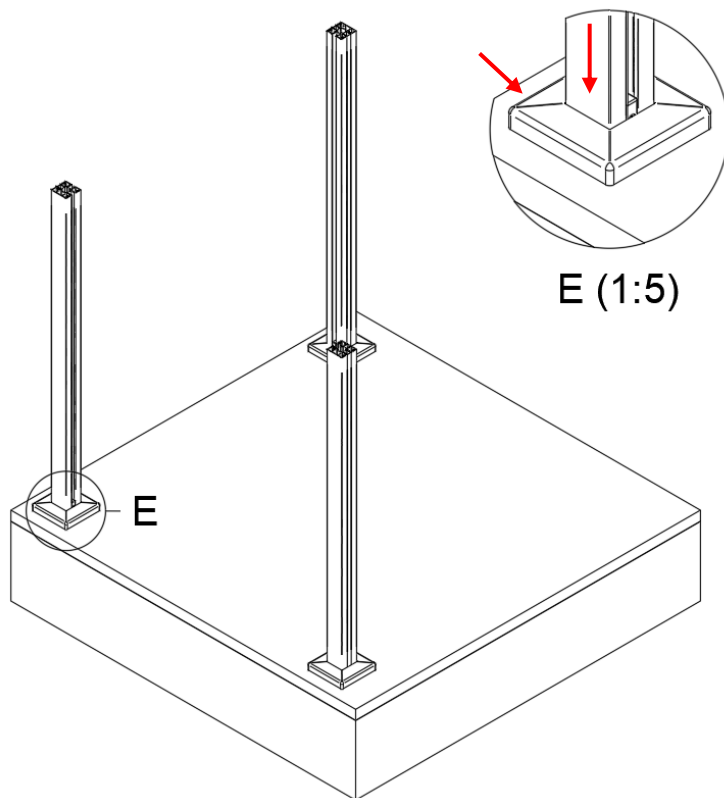
STEPS



7

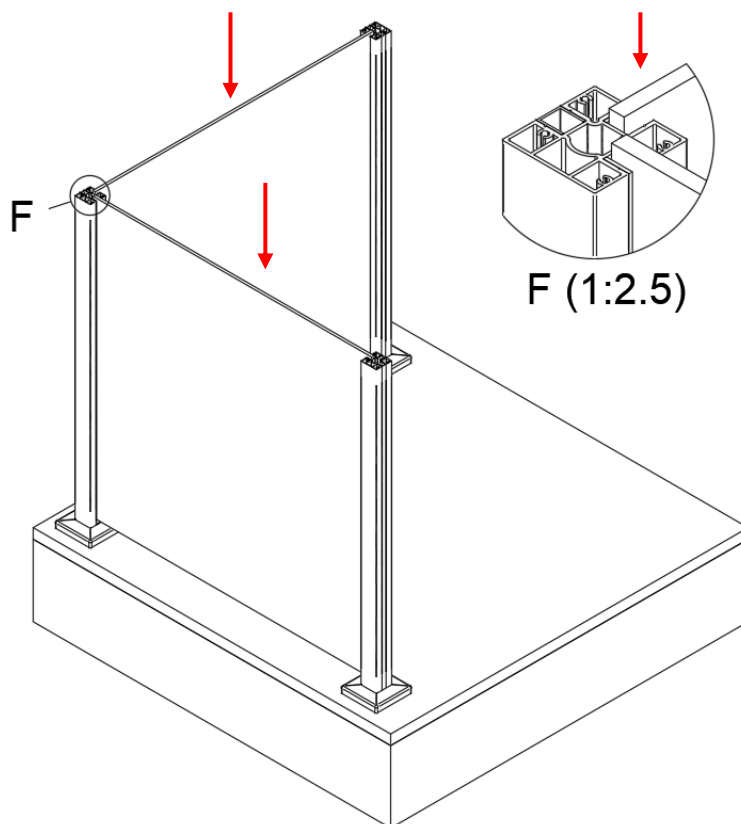


STEPS

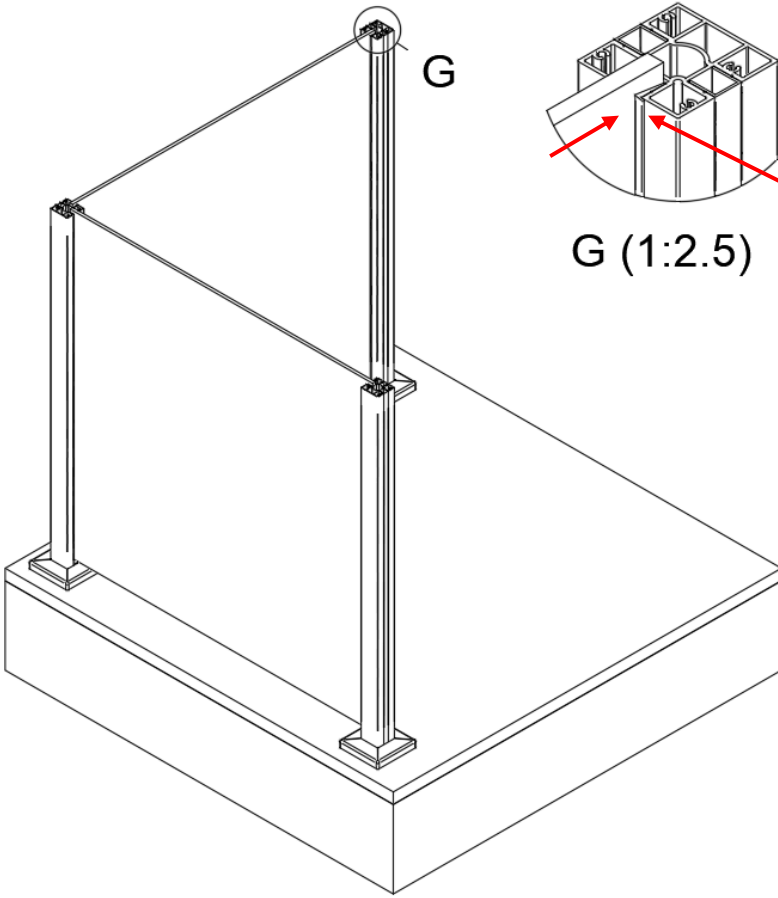


8

9



STEPS

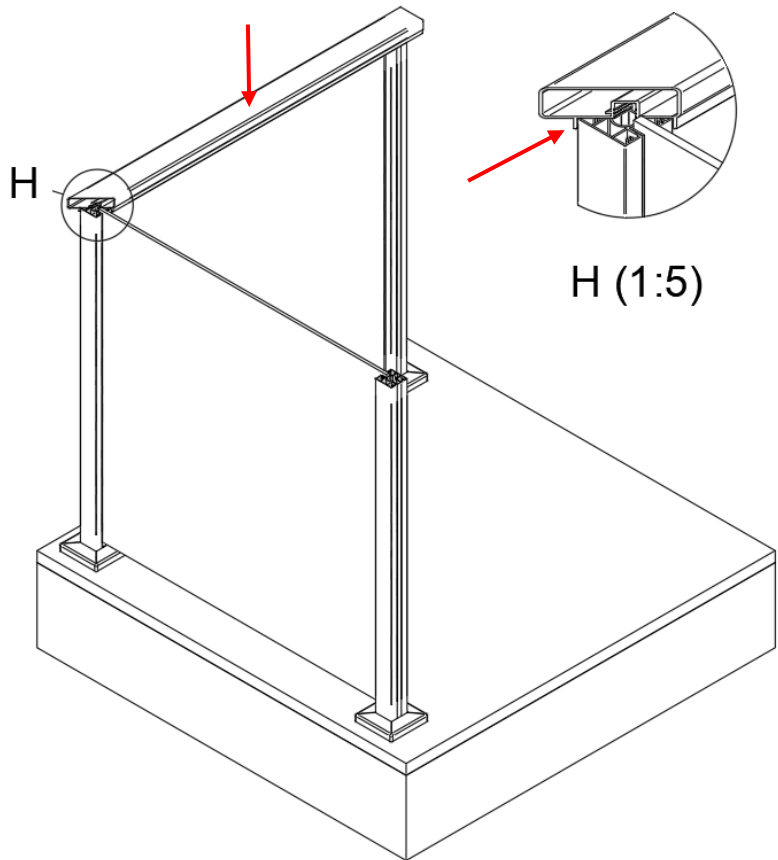


G (1:2.5)



10

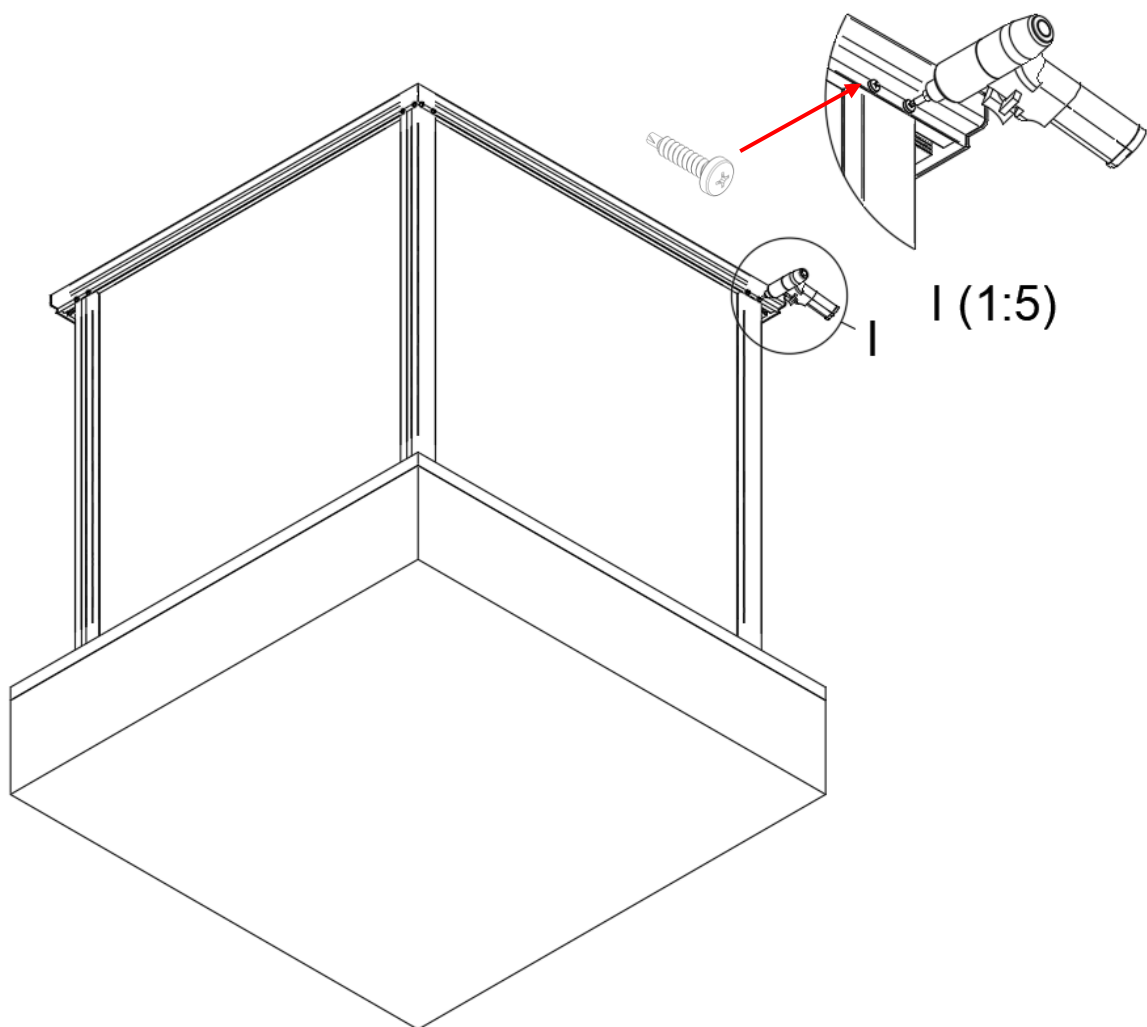
11



H

H (1:5)

STEPS



12